

QUADRO VALVE TERMINAL BLOCK



THE FLEXIBLE CONNECTION FITTING SET FOR RADIATORS

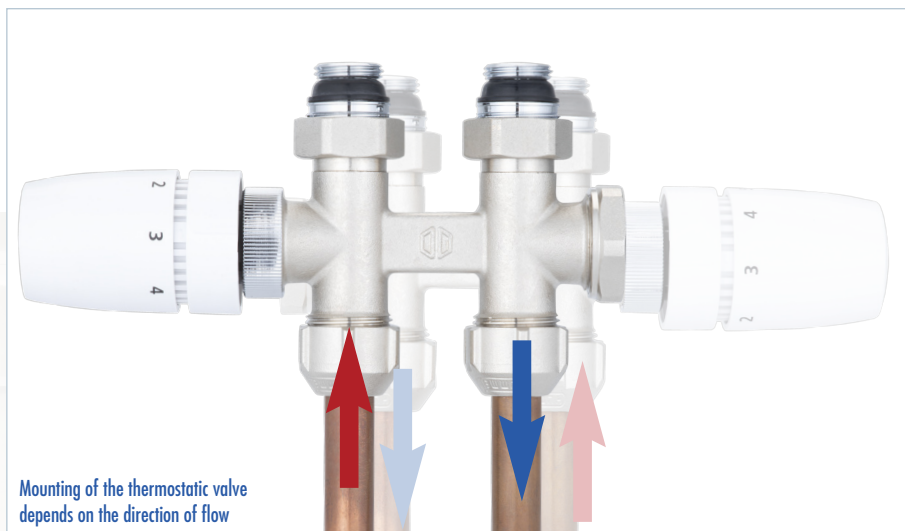
One valve terminal block, four connection variants

Corner or straight type with thermostatic valve left or right

It doesn't get any more flexible than this: the Quadro valve terminal block can be installed in either as corner or straight type. This makes it irrelevant whether the pipe connections come from the floor or the wall - the Quadro is the right solution in any case.

What's more: the thermostatic valve included in the scope of delivery can also be mounted on the left or right side. This means that the Quadro can be flexibly adapted to the direction of flow. The flow is always on the thermostat side.

- // ideal for radiators with centre connection
- // Designed for two-pipe heating systems
- // Can be used as corner or straight type
- // Mounting of the thermostatic valve on the left or right
- // Presettable valves for hydraulic balancing



Two-pipe connection set

Quadro valve terminal block with thermostatic valve and cover cap, chrome, white or black



- // Valve terminal block with thermostatic valve and cover cap
- // for two-pipe systems in corner or straight form
- // for pipe connection to the wall or perpendicular to the floor
- // the thermostatic valve can be mounted on the left or right side
- // thermostatic valve bonnet and shut-off bonnet can be interchanged
- // the flow must always be connected on the side of the thermostatic sensor

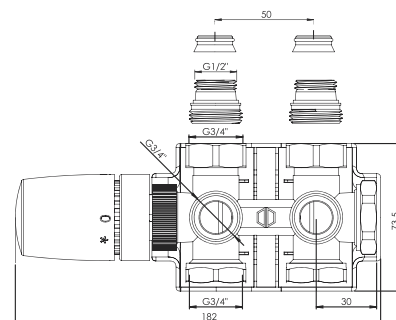
Version	Item No.
chrom, with 2 nipples G 1/2 x G 3/4	2 219 8412 02
white, with 2 nipples G 1/2 x G 3/4	2 219 8412 90
black, with 2 nipples G 1/2 x G 3/4	2 219 8412 05

Technical data

Operating temperature:	up to 90 °C
Operating pressure:	10 bar

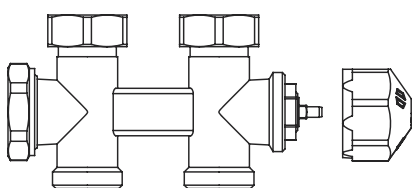
Material data

Body / union nut:	nickel-plated brass
Moulded seal:	EPDM / Teflon
Connection nipple:	brass blank
Cone insert:	PA



A terminal block that always fits

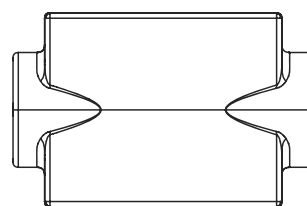
Quadro valve terminal block



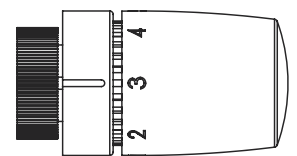
Terminal block



Cone inserts / nipples



Cover cap (chrome-plated, white or black)

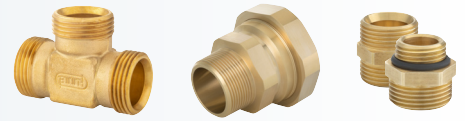


Thermostatic head (chrome-plated, white or black)

PRODUCT RANGE HEATING AND DRINKING WATER SYSTEMS

Problem solvers for drinking water systems

Steel pipe adapter, compression fittings, connectors, nipples



Connection technology

Reductions, coupling nipple, steel pipe adapter, compression fittings



Radiator connections

Diverter, flexible connections, connection fittings, thermostatic valves, thermostatic heads



Outflow and Venting

Air bleeder valves, automatic ventings outflow valves, FE valves, SFE valves



www.hummel.com

HUMMEL AG
Lise-Meitner-Straße 2
79211 Denzlingen
Germany
www.hummel.com

Tel. +49 (0) 76 66 / 9 11 10-400
Fax +49 (0) 76 66 / 9 11 10-94 20
E-Mail info@hummel.com

