

## HSK-K-EX-ACTIVE



THE CABLE GLAND FOR HAZARDOUS AREAS

## ADVANTAGES AT A GLANCE:



- // Halogen-free
- // Protection IP 68 – 10 bar according to DIN EN 60529
- // Vibration-protected dome nut
- // Wide clamping range
- // Applicable up to +85° C (185° F)
- // Abrasion resistant marking
- // O-Ring as standard
- // Applicable in zone 1 and zone 20

## HSK-K-Ex-Active

### Overlapping clamping splines

avoid tearing out the gland seal and ensure an extremely high integrated strain-relief

### Form seal

for reliable sealing at protection class IP 68 up to 10 bar

### HUMMEL acme screw thread

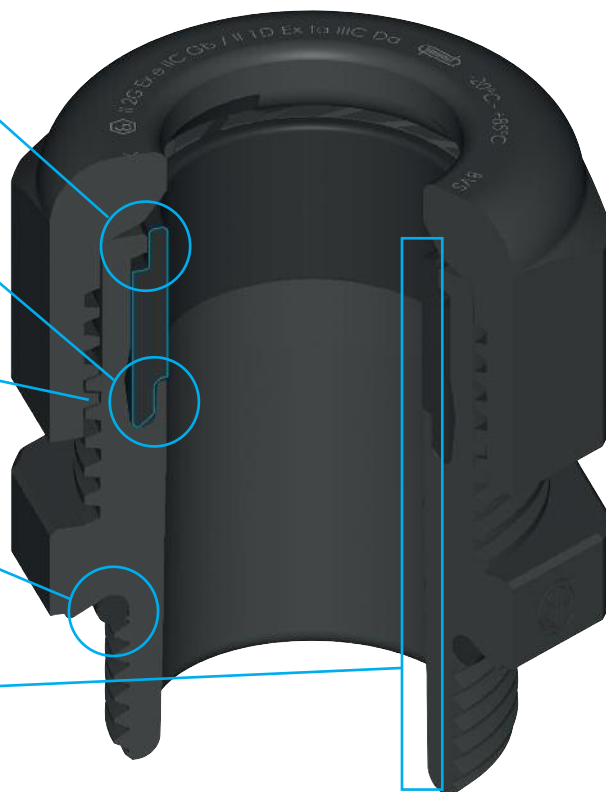
for dependable transmission of force between dome nut and gland body

### Molded O-Ring groove

results in a reliable tightening between gland body and installation

### Smooth internal shape

for easy assembling and ideal protection of the cable sheath



## HSK-K-EX-ACTIVE

The HSK-K-Ex-Active has been developed to meet the stringent requirements of EN 60079-0:2012. The cable gland, made of special formulated fibreglass reinforced polyamide, combines all features of the established HSK-K-Ex series and the latest approvals according to ATEX and IECEx.

The HSK-K-Ex-Active has been designed for applications in electrical equipment, which require types of protection Ex e and Ex t according to the latest standards EN 60079-0, 60079-7 and 60079-31.

- // Zones 1, 2, 20, 21, 22
- // Sizes: M 12 – M 63,  
NPT 3/8" – NPT 1 1/2"
- // Temperature Range: -20° C – 85° C (-4° F – 185° F)
- // EC-Type Examination Certificate:  
BVS 14 ATEX E 025 X
- // IECEx Certificate of Conformity:  
IECEx BVS 14.0020X
- // Marking:  
II 2G Ex eb IIC Gb  
II 1D Ex ta IIIC Da
- // According to the latest EN Standards:  
EN 60079-0:2012 + A11:2013      IEC 60079-0:2011  
EN 60079-7:2015                    IEC 60079-7:2015  
EN 60079-31:2014                  IEC 60079-31:2013  
EN 60529



Find assembly instructions and certificates at  
[www.hummel.com](http://www.hummel.com)

# HSK-Ex e CABLE GLANDS

HSK-K-Ex-Active

Metr.



Material	fibreglass reinforced polyamide
Seal	Buna-N
O-Ring	Buna-N
Protection	IP 68 – 10 bar within the specified clamping range
Operating Temperature	-20 °C – 85 °C (-4 °F – 185 °F)
Colors	black (RAL 9005) / blue-black (RAL 5012)

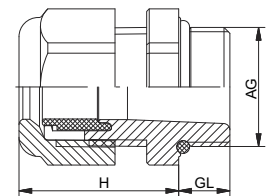
// FKM and VMQ O-Ring upon request



II 2G Ex eb IIC Gb  
II TD Ex ta IIIC Da

Class I Div 2 Groups A, B, C, D  
Class II Div 1 Groups E, F, G

For the international certificates go to [www.hummel.com](http://www.hummel.com).



AG	∅ mm	mm	H mm	GL mm	Number black	Number blue-black	GL mm	Number black elongated	Number blue-black elongated
M 12 x 1,5	3–6,5	15	21	8	1.292.1201.50	1.292.1202.50	15	1.292.1201.30	1.292.1202.30
M 12 x 1,5	2–5	15	21	8	1.292.1201.51	1.292.1202.51	15	1.292.1201.31	1.292.1202.31
M 16 x 1,5	4–8	19	22	8	1.292.1601.50	1.292.1602.50	15	1.292.1601.30	1.292.1602.30
M 16 x 1,5	3–6	19	22	8	1.292.1601.51	1.292.1602.51	15	1.292.1601.31	1.292.1602.31
M 16 x 1,5	5–10	22	25	8	1.292.1611.50	1.292.1612.50	15	1.292.1611.30	1.292.1612.30
M 16 x 1,5	3–7	22	25	8	1.292.1611.51	1.292.1612.51	15	1.292.1611.31	1.292.1612.31
M 20 x 1,5	6–12	24	27	9	1.292.2001.50	1.292.2002.50	15	1.292.2001.30	1.292.2002.30
M 20 x 1,5	5–9	24	27	9	1.292.2001.51	1.292.2002.51	15	1.292.2001.31	1.292.2002.31
M 20 x 1,5	10–14	27	28	9	1.292.2016.50	1.292.2017.50	15	1.292.2016.30	1.292.2017.30
M 20 x 1,5	7–12	27	28	9	1.292.2016.51	1.292.2017.51	15	1.292.2016.31	1.292.2017.31
M 25 x 1,5	13–18	33	31	11	1.292.2501.50	1.292.2502.50	15	1.292.2501.30	1.292.2502.30
M 25 x 1,5	9–16	33	31	11	1.292.2501.51	1.292.2502.51	15	1.292.2501.31	1.292.2502.31
M 32 x 1,5	18–25	42	39	11	1.292.3201.50	1.292.3202.50	15	1.292.3201.30	1.292.3202.30
M 32 x 1,5	13–20	42	39	11	1.292.3201.51	1.292.3202.51	15	1.292.3201.31	1.292.3202.31
M 40 x 1,5	22–32	53	48	13	1.292.4001.50	1.292.4002.50	18	1.292.4001.30	1.292.4002.30
M 40 x 1,5	20–26	53	48	13	1.292.4001.51	1.292.4002.51	18	1.292.4001.31	1.292.4002.31
M 50 x 1,5	32–38	60	49	13	1.292.5001.50	1.292.5002.50	18	1.292.5001.30	1.292.5002.30
M 50 x 1,5	25–31	60	49	13	1.292.5001.51	1.292.5002.51	18	1.292.5001.31	1.292.5002.31
M 63 x 1,5	37–44	65/68	49	14	1.292.6301.50	1.292.6302.50	18	1.292.6301.30	1.292.6302.30
M 63 x 1,5	29–35	65/68	49	14	1.292.6301.51	1.292.6302.51	18	1.292.6301.31	1.292.6302.31
NPT 3/8"	4–8	19 / 22	22	15				1.292.3801.70	1.292.3802.70
NPT 3/8"	3–6	19 / 22	22	15				1.292.3801.71	1.292.3802.71
NPT 1/2"	6–12	24	27	13				1.292.1201.70	1.292.1202.70
NPT 1/2"	5–9	24	27	13				1.292.1201.71	1.292.1202.71
NPT 1/2" (16)	10–14	27	28	13				1.292.1216.70	1.292.1217.70
NPT 1/2" (16)	7–12	27	28	13				1.292.1216.71	1.292.1217.71
NPT 3/4"	13–18	33	31	14				1.292.3401.70	1.292.3402.70
NPT 3/4"	9–16	33	31	14				1.292.3401.71	1.292.3402.71
NPT 1"	18–25	42	39	19				1.292.1001.70	1.292.1002.70
NPT 1"	13–20	42	39	19				1.292.1001.71	1.292.1002.71
NPT 1 1/4"	18–25	42/46	39	16				1.292.5401.70	1.292.5402.70
NPT 1 1/4"	13–20	42/46	39	16				1.292.5401.71	1.292.5402.71
NPT 1 1/2"	22–32	53	48	20				1.292.6401.70	1.292.6402.70
NPT 1 1/2"	20–26	53	48	20				1.292.6401.71	1.292.6402.71

## HSK-K-Multi-Ex-Active / HSK-K-Flaka-Ex-Active



Material	fibreglass reinforced polyamide
Seal	Elastomer
O-Ring	Buna-N
Protection	IP 68 – 10 bar within the specified clamping range
Operating Temperature	-20 °C – 85 °C (-4 °F – 185 °F)
Colors	black (RAL 9005) / blue-black (RAL 5012)

- // FKM and VMQ O-Ring upon request
- // The shown inserts are samples, more inserts upon request

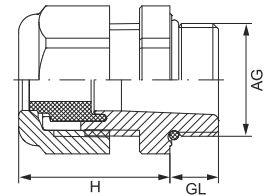
**Installation Instructions:** The clamping range of the cable used may not deviate from the manufacturer-specified minimum values by more than 1 mm in length and 1 mm in width. The geometries of the cable and the insert hole must be compatible (semi-circular or straight at the sides).

**CE ATEX** **RoHS**

**IECEx** II 2G Ex eb IIC Gb  
II TD Ex ta IIIC Da

**SF** **US** Class I Div 2 Groups A, B, C, D  
Class II Div 1 Groups E, F, G

For the **international certificates** go to [www.hummel.com](http://www.hummel.com).



AG	mm	H	GL	Number of holes x d	Number black	Number blue-black	Number of holes x d	Number black elongated	Number blue-black elongated
<b>HSK-K-Multi-Ex-Active</b>									
M 16 x 1,5	19	22	8	4 x 1,4	1.581.1600.51	1.581.1600.52	2 x 3	1.581.1601.51	1.581.1601.52
M 20 x 1,5	24	27	9	6 x 3	1.581.2001.51	1.581.2001.52	2 x 5	1.581.2003.51	1.581.2003.52
M 25 x 1,5	33	31	11	4 x 6	1.581.2500.51	1.581.2500.52	3 x 7	1.581.2501.51	1.581.2501.52
M 32 x 1,5	42	39	11	6 x 6,5	1.581.3200.51	1.581.3200.52	4 x 9	1.581.3201.51	1.581.3201.52
M 40 x 1,5	53	48	13	7 x 9	1.581.4001.51	1.581.4001.52	2 x 15	1.581.4003.51	1.581.4003.52
M 50 x 1,5	60	49	13		1.581.5099.51	1.581.5099.52			
M 63 x 1,5	65 / 68	49	14	6 x 12	1.581.6301.51	1.581.6301.52	3 x 18	1.581.6302.51	1.581.6302.52
NPT 3/8"	19 / 22	22	15	4 x 1,4	1.581.3800.71	1.581.3800.72	2 x 3	1.581.3801.71	1.581.3801.72
NPT 1/2"	24	27	13	3 x 4	1.581.1202.71	1.581.1202.72	2 x 5	1.581.1203.71	1.581.1203.72
NPT 1/2" (16)	27	28	13	6 x 4	1.581.1220.71	1.581.1220.72	2 x 6	1.581.1221.71	1.581.1221.72
NPT 3/4"	33	31	14	4 x 6	1.581.3400.71	1.581.3400.72	3 x 7	1.581.3401.71	1.581.3401.72
NPT 1"	42	39	19	6 x 6,5	1.581.1000.71	1.581.1000.72	4 x 9	1.581.1001.71	1.581.1001.72
NPT 1 1/4"	42 / 46	39	16		1.581.5499.71	1.581.5499.72			
NPT 1 1/2"	53	48	20	5 x 9	1.581.6400.71	1.581.6400.72	7 x 9	1.581.6401.71	1.581.6401.72

AG	mm	H	GL	Dimensions w x h mm	Number black	Number blue-black	Dimensions w x h mm	Number black	Number blue-black
<b>HSK-K-Flaka-Ex-Active</b>									
M 20 x 1,5	27	28	9	12 x 7	1.582.2017.51	1.582.2017.52	14 x 6	1.582.2018.51	1.582.2018.52
M 25 x 1,5	33	31	11	14 x 6	1.582.2500.51	1.582.2500.52	14,5 x 7,2	1.582.2501.51	1.582.2501.52
M 32 x 1,5	42	39	11	22 x 8	1.582.3200.51	1.582.3200.52			
M 40 x 1,5	53	48	13	28,5 x 10	1.582.4000.51	1.582.4000.52	29 x 5,5	1.582.4001.51	1.582.4001.52
M 40 x 1,5	53	48	13	30,5 x 12	1.582.4002.51	1.582.4002.52	31 x 7,5	1.582.4003.51	1.582.4003.52
M 50 x 1,5	60	49	13	33,5 x 11,5	1.582.5000.51	1.582.5000.52			
NPT 1/2" (16)	27	28	13	12 x 7	1.582.1217.71	1.582.1217.72	14 x 6	1.582.1218.71	1.582.1218.72
NPT 3/4"	33	31	14	14 x 6	1.582.3400.71	1.582.3400.72			
NPT 1"	42	39	19	22 x 8	1.582.1000.71	1.582.1000.72			
NPT 1 1/4"	42 / 46	39	16	22 x 8	1.582.5400.71	1.582.5400.72			
NPT 1 1/2"	53	48	16	28,5 x 10	1.582.6400.71	1.582.6400.72	29 x 5,5	1.582.6401.71	1.582.6401.72
NPT 1 1/2"	53	48	20	30,5 x 12	1.582.6402.71	1.582.6402.72	31 x 7,5	1.582.6403.71	1.582.6403.72

# ELECTRIC COMPONENTS

## Cable Glands

Polyamide-, Brass- and Stainless steel,  
EMC-connections, Protection Ex e, Ex d, Ex ta



## Circular Connectors

M 8 to M 40, INOX, TWILOCK, Industrial Ethernet,  
Power, Signal, Hybrid-Connector, Moulded Cordsets



## Cable Protection Systems

Corrugated Conduit Systems, Conduit Cable Glands, Angled Systems,  
combined Cable Glands, Accessories



## Cable Assembly

Moulded Signal- and Power Circular Connectors,  
Servo Cables, Cable Sets



[www.hummel.com](http://www.hummel.com)

HUMMEL AG  
Lise-Meitner-Straße 2  
79211 Denzlingen  
Germany  
[www.hummel.com](http://www.hummel.com)

Tel. +49 (0) 76 66 / 9 11 10-0  
Fax +49 (0) 76 66 / 9 11 10-20  
E-Mail [info@hummel.com](mailto:info@hummel.com)

