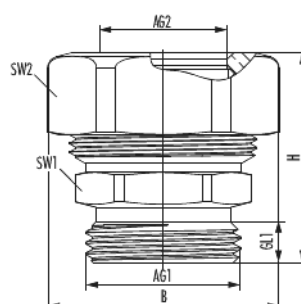


# Steel pipe adapter with external thread Eurocone

Item number 2354123401



## Technical data

Connection size 1 (AG1)	G 3/4
Connection size 2 (AG2)	1/2
Connection type 1 (AT1)	Euro cone
Connection type 2 (AT2)	Pipe
Length (L)	39.5 mm
Width (B)	39.5 mm
Height (H)	36 mm
Thread Length 1 (GL1)	9.5 mm
Wrench size 1 (SW1)	27 mm
Wrench size 2 (SW2)	36 mm
Suitable for	Boiling pipes (DIN EN 10216-1, DIN EN 10217-1) , Connection fittings with Euro cone (DIN EN 16313) , Steel pipes (DIN EN 10255/H, DIN EN 10220-1)
Mounting form	Straight-type
Insertion depth	23 mm

# Steel pipe adapter with external thread

## Eurocone

Item number 2354123401

Nominal outside diameter min.	21 mm
Nominal outside diameter max.	21.8 mm
Nominal outside diameter	21.3 mm
Material	Nickel-plated brass
Material thrust ring	Brass blank
Material moulded seal	EPDM
Material retaining claw	Stainless steel
Material body	Nickel-plated brass
Max. operating pressure	10 bar
Max. operating temperature heating	120 °C

### Commercial data

Packaging Unit	20
EAN code	4033878206928
Weight	0.10414 kg
ETIM 7	EC011042
ETIM 8	EC011042
ETIM 9	EC011042
eCl@ss 10.1	22-56-92-90
Customs tariff number	84818099

# Steel pipe adapter with external thread

## Eurocone

Item number 2354123401

Note:

