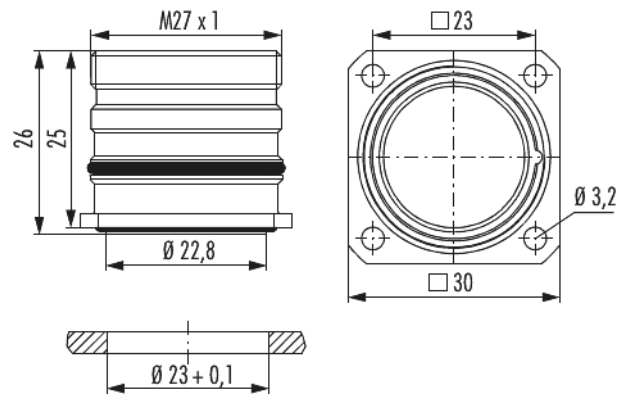


# Housing panel connector M27 Signal

Item number 7410700000



## Technical data

Material housing	Copper-Zinc alloy
Material housing surface	Nickel
Insert	Pin , Socket
Version	with vibration protection
External thread plug-in side	M27 x 1
Internal thread plug-in side	-
Locking type	Screw
Shield	unshielded
Seal type	O-Ring
Material seals/o-rings	NBR
Coding position	
Panel hole	Ø 23 + 0,1 mm
Drill form	- mm
Flange	30 x 30 mm
Hole distance	23 mm
Hole diameter	4 x Ø 3,2 mm

# Housing panel connector M27 Signal

Item number 7410700000

<b>Length (L)</b>	25 mm
<b>Allen key/Torx</b>	-
<b>Protection class</b>	IP 67 , IP 69 K
<b>Temperature range</b>	-40 °C to +125 °C

# Housing panel connector M27 Signal

Item number 7410700000

## Commercial data

Packaging Unit	5
EAN code	4033878503409
Weight	0.03648 kg
ETIM 7	EC003556
ETIM 8	EC003556
ETIM 9	EC003556
eCl@ss 10.1	27440224
Customs tariff number	85366990

Note:

