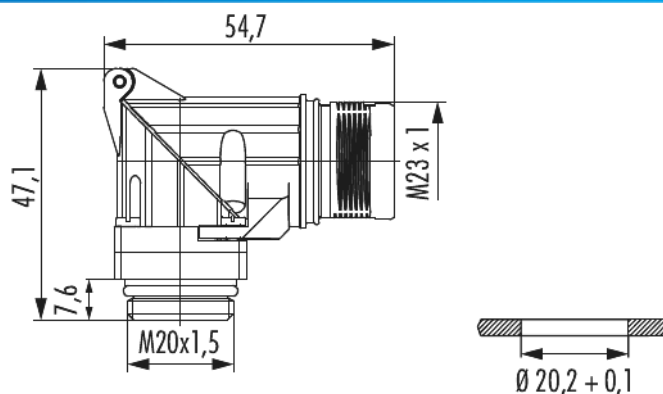


# Housing panel connector M23 Power angled rotatable

Item number 7636000000



## Technical data

Housing type	Panel angled
Material housing	Zinc Die Cast
Material housing surface	Nickel
Version	right angled
External thread plug-in side	M23 x 1
Locking type	Screw
Shield	unshielded
Material seals/o-rings	FKM (FPM) , NBR
Rotatable	335 °
Panel hole	M20 + 0,1 mm
Flange	25 x 25 mm
Hole distance	19.8 mm
Hole diameter	4 x Ø 2,7 mm
Protection class	IP 67 , IP 69 K
Temperature range	-40 °C to +125 °C

# Housing panel connector M23 Power angled rotatable

Item number 763600000

**suitable contact inserts**

7084909101 , 7084909102 , 7084910101 , 7084910102 ,  
7084943121 , 7084943122 , 7084953101 , 7084953102

# Housing panel connector M23 Power angled rotatable

Item number 7636000000

## Commercial data

Packaging Unit	25
EAN code	4033878504123
Weight	0.053 kg
ETIM 7	EC003556
ETIM 8	EC003556
ETIM 9	EC003556
Customs tariff number	85366990

Note:

