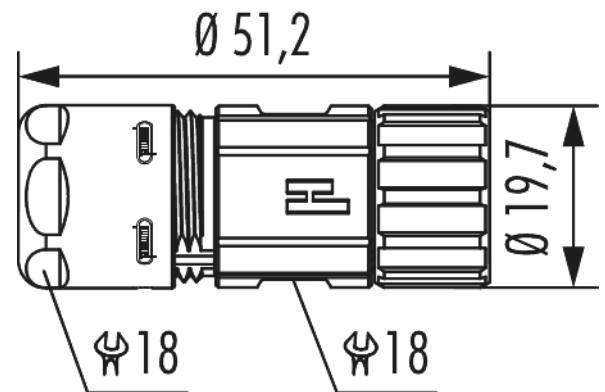


# Housing cable connector M16

Item number 7811300000



## Technical data

<b>Housing type</b>	Cable
<b>Material housing</b>	brass , Zinc Die Cast
<b>Material housing surface</b>	Nickel
<b>Version</b>	long version
<b>Internal thread plug-in side</b>	M16 x 0,75
<b>Knurled nut-Ø plug-in side</b>	19.7 mm
<b>Locking type</b>	Screw
<b>Shield</b>	shielded
<b>Material seals/o-rings</b>	NBR
<b>Wrench size (SW1/SW2)</b>	18/18 mm
<b>Cable diameter</b>	3 - 6 mm
<b>Temperature range</b>	-40 °C to +125 °C
<b>Protection class</b>	IP 67 , IP 69 K

# Housing cable connector M16

Item number 781130000

## Commercial data

Packaging Unit	10
EAN code	4033878000908
Weight	0.038 kg
ETIM 7	EC003556
ETIM 8	EC003556
ETIM 9	EC003556
eCl@ss 10.1	27440224
Customs tariff number	85366990

Note:

