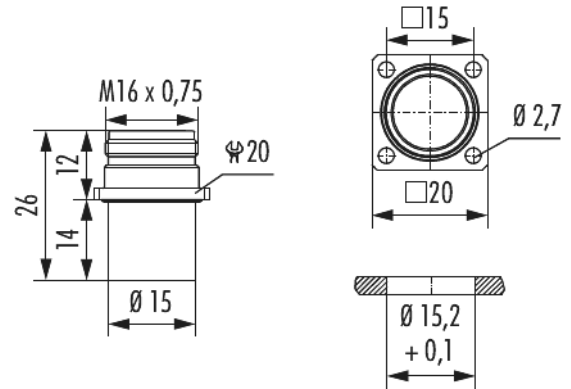


Housing panel connector M16 front wall

Item number 7840200000



Technical data

Material housing	Aluminium alloy , Copper-Zinc alloy , Zinc Die Cast
Material housing surface	Nickel
Installation type	Front wall
Version	short version
External thread plug-in side	M16 x 0,75
Locking type	Screw
Shield	unshielded
Seal type	O-Ring
Material seals/o-rings	FKM (FPM) , NBR
Panel hole	Ø 15,2 + 0,1 mm
Flange	20 x 20 mm
Hole distance	15 mm
Hole diameter	4 x Ø 2,7 mm
Length (L)	26 mm
Wrench size (SW)	20 mm
Protection class	IP 67 , IP 69 K



Housing panel connector M16 front wall

Item number 7840200000

Temperature range -40°C to +125°C



Housing panel connector M16 front wall

Item number 7840200000

Commercial data

Packaging Unit	25
EAN code	4033878504833
Weight	0.01443 kg
ETIM 7	EC003556
ETIM 8	EC003556
ETIM 9	EC003556
eCl@ss 10.1	27440224
Customs tariff number	85366990

Note:

