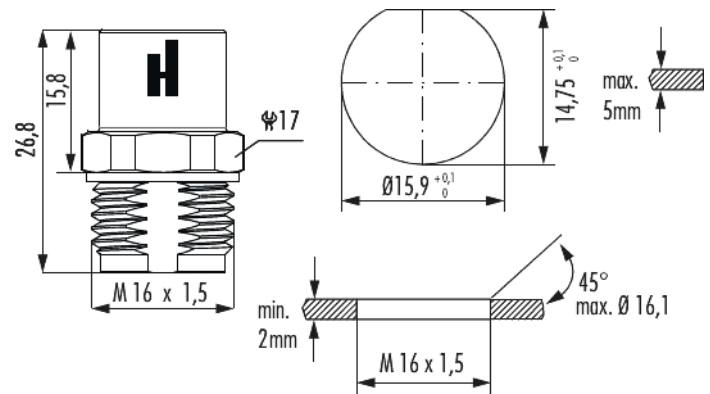


# Housing panel connector M12 Power - K, L

Item number A712-7K4400000



## Technical data

Material housing	Copper-Zinc alloy
Material housing surface	Nickel
Coding	K, L
Installation type	Front wall
External thread (AG)	M16 x 1,5
Internal thread plug-in side	M12 x 1
Locking type	Screw
Shield	unshielded
Seal type	Seal
Material seals/o-rings	FKM (FPM)
Panel hole	M16 x 1,5 mm
Wall thickness	min. 2 mm
Chamfer	45° oriented upwards
Protection class	IP 67, IP 69 K
Temperature range	-40°C to +125°C
suitable contact inserts	A712-7K03941102, A712-7L03941102



# Housing panel connector M12 Power - K, L

Item number A712-7K4400000

## Commercial data

Packaging Unit	5
EAN code	4033878505373
Weight	0.0141 kg
ETIM 7	EC003556
ETIM 8	EC003556
ETIM 9	EC003556
eCl@ss 10.1	27440224
Customs tariff number	85366990

## Note:

max. operating temperature at max. operating time: + 100 ° C at 20 000h / / + 125 ° C at 600h

